



# Air Sniper Spectrum-800



## FEATURES

Whisper Quiet Operation

Minimal Maintenance

Bluetooth Enabled

## SPECIFICATIONS

Available Power Requirements: 110V AC, Single Phase, 50/60Hz, 220 AC, Single Phase 50-60 Hz

Energy Consumption: 6 Amp Max @110V AC, 3 Amp max @220 AV

Weight: 75 lbs (34 Kg)

Fan Speeds: 10 Fan Speeds

Bulb: 300 Watt

Dimensions: 24.5"(w) x19"(D)x 42.5"(H)

Electrical safety certification: cETLus, UL and CSA Standards

CFM: 300-800 CFM

Noise Level: 21-49 dB ( A)

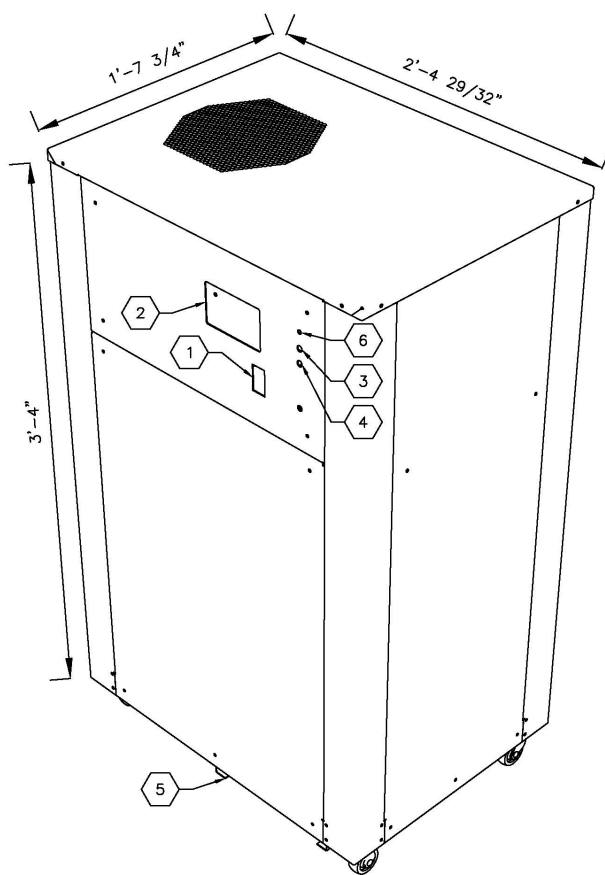
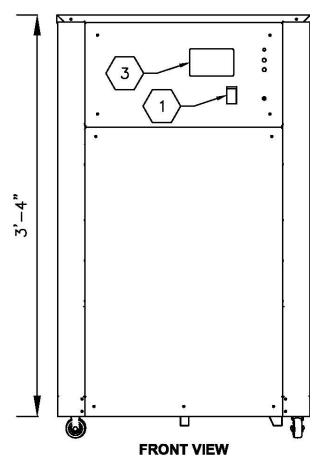
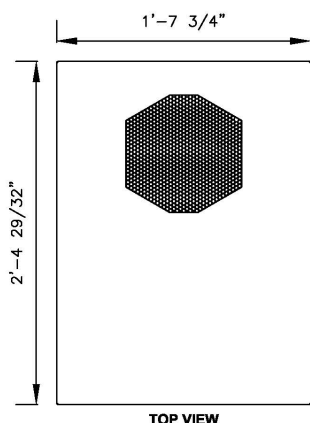
Warranty: 5 Years

Monitoring: Bluetooth Enabled for remote scheduling and monitoring

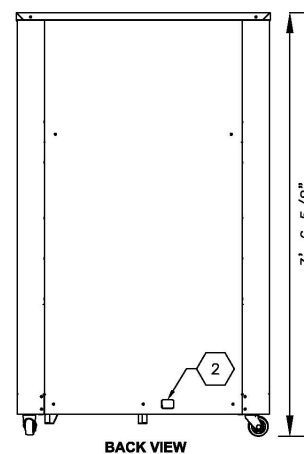
Lamp Life: 6+ Years (55,200 Hours)



# DETAIL DRAWINGS



LEGEND	
ITEM	DESCRIPTION
1	POWER SWITCH
2	DISPLAY SCREEN
3	LAMP LIGHT INDICATOR
4	FAN INDICATOR LIGHT
5	FILTER (NOTE 1)
6	FILTER RESET BUTTON



**NOTES:**

1. THIS FILTER IS A MERV 8 FILTER SIZED 10" BY 18" BY 1", AND SHOULD BE REPLACED EVERY 3 MONTHS.